

## Data sheet

Commercial Art.No.: Z1.298.1053.0

fuse disconnect lever THSI 5X20

Fuse disconnect lever to stick on disconnect block type WKFN 4 TKG/35, for fuse 5x20 mm, Color: grey



Commercial Art.No.	Z1.298.1053.0
EAN	4015573710832
Order Unit	10

certificates / approvals



## Technical data

### general

color	grey
width/grid dimension	6 mm
insulating housing	PA666
flammability class of insulation material acc. with UL94	V0
mounting method	direct mounting
fuse insert	G-fuse 5x20 mm
Montageart	direct mounting
Brennbarkeitsklasse des Isolierstoffs	V0

### technical data

rated voltage	250 V
pollution degree	3
closing plate required	no
type of insulation material	thermoplastic
length	45.2 mm

### additional data

remark to rated voltage	note fuse insert
remark to rated current	note fuse insert

### classification

ECLASS 11	
-----------	--

ECLASS 8.1	27141116
ETIM 9.0	EC000899
ETIM 8.0	EC000899
ETIM 7.0	EC000899
ETIM 6.0	EC000899
ETIM 5.0	EC000899
ETIM 4.0	EC000899
ETIM 3.0	EC000899

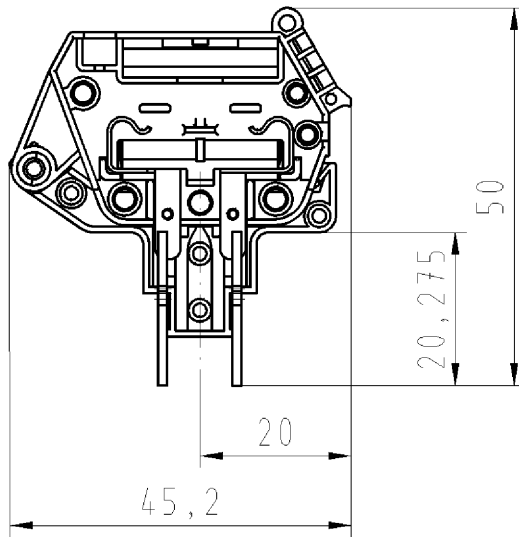
**product compliance**

ROHS conformity status	compliant
REACH-SVHC conformity status	compliant

**Accessories**

Commercial Art.No.:	Article-type description:	Description:
04.242.6053.0	marking tag strips 9705 A / 6 / 10	Marking tag strips for DIN rail terminal blocks type 9700 A / 6..., 10 tags per strip, color: white, unmarked, markable with Wieplot plotter-system

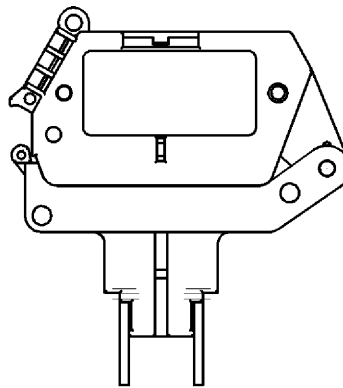
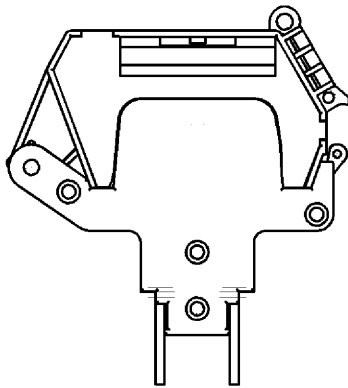
Baubreite/width 6 mm



Do not disconnect under load.  
Ne debracher pas sous charge.

Weitere Daten siehe Katalog  
further data see catalog

Vorderansicht/front view M1:1      Rückseite/rear view M1:1



Zulässige Abweichungen nach DIN 7167/Permissible deviations acc. to DIN 7167.  
(This DIN-standard describes the envelope principle. According to the envelope principle the deviations of form and parallelism are limited by the size tolerances).

ja/yes  Stoffverbots- und Deklarationsliste nach UU-TQM-05/03 ist einzuhalten.  
Conformity with Wieland document UU-TQM-05/03 (list of prohibited / declarable hazardous substances) to be declared!

Freitoleranz nach -  
General tolerance

CAD - Zeichnung, keine manuellen Änderungen  
CAD - drawing, no manual modifications allowed

1.Verwendung: -  
First Use:

Blatt: 1 von 1  
Sheet: 1 of 1

	/		Werkstoff/Material	2006	Tag/Date	Name	Zeichnung Nr./Drawing No.	Index	
	/			gezeichnet drawn	12.12.	Schmitt J.	Z1.298.1053.0 01K		
	/	Maßstab/Scale		geprüft checked	-	-			
	/	1:1		Normgepr. Stand. check	-	-			
	/	Vol.	mm <sup>3</sup> Offl./Surf.	mm <sup>2</sup>	Ersatz für/Replacement for: -			Maße in mm/Dimensions are in mm	
	/		wieland	Type	Benennung/Tittle				
	/			THS1/ 5x20	FUSE DISCONNECT LEVER SI_TRENNHEBEL				
Index	Datum / Blatt Date / Sheet		Elektrische Verbindungen	f. Feinsicherung 5x20 max. 6,3 A for fuse 5x20 max. 6,3 A					
Änderung/Revision									

Weitergabe sowie Vervielfältigung dieses Dokuments, Verwertung und Mitteilung seines Inhalts sind verboten, soweit nicht ausdrücklich gestattet.  
The reproduction, distribution and utilization of this document as well as the communication of its contents to others without express authorization is prohibited.

Z12981053001K\_4\_CADW1042\_Schmitt 2006-12-15T08:42:19 1.000